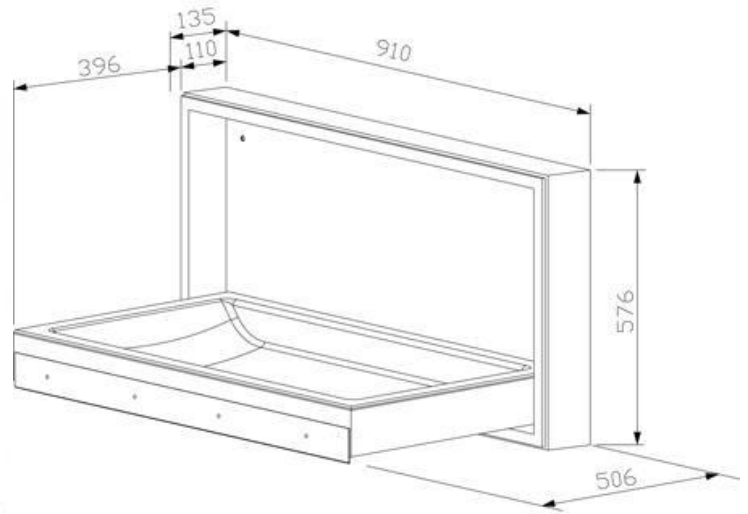


# Horizontal Changing table - Alacant Datasheet



Article	Changing table Alacant (article number 204.842)
Application	Very suitable for hygienic-sensitive areas and for catering facilities
Width in mm	910
Height in mm	576
Depth open in mm department	506
Depth closed in mm	135
Weight in kg	23,7
max. load capacity in kg	15
Material	All-metal housing made of robust, easy-care stainless steel, satin finished. Handle with glossy surface IIID, all corners completely welded. Lying surface seamlessly deep-drawn from polypropylene.
Incl. Mounting material	depending on the condition of the wall, appropriate fastening material (dowels and screws) must be provided by the customer
TÜV-certified	yes
Domestic equipment	with integrated maintenance-free gas spring

## SKIRMETT WASHROOMS

Bays Platt, Skirmett, Henley-on-Thames,  
Oxfordshire, RG9 6TD United Kingdom

Tel: +44(0)1491 638606

Email: [info@skirmett-supplies.co.uk](mailto:info@skirmett-supplies.co.uk)

Web: [www.skirmett-supplies.co.uk](http://www.skirmett-supplies.co.uk)